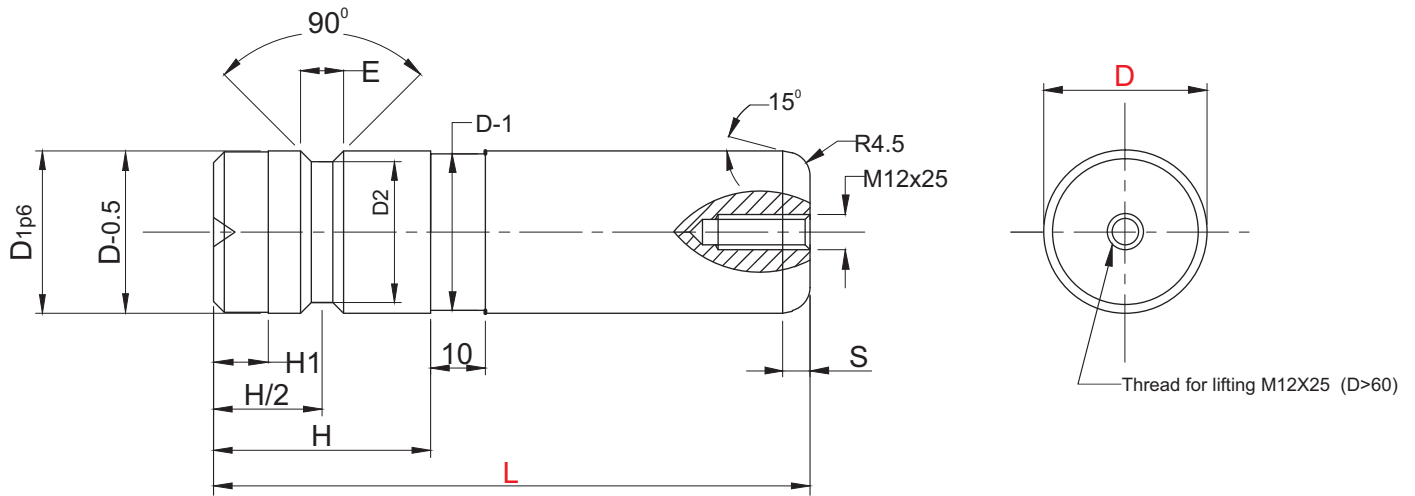


# ► Pillar (PPO)



**Material :-** En353/20MnCr5  
**Hardness :-** 55-60HRC



Type	D		D1p6		D2	H	E	S	H1	L
PPO	25	(-0.005) (-0.015)	25	(+0.035) (+0.022)	21	30	8	5	5	80, 100, 120, 140, 160,
	30		30		26	40				100, 120, 140, 160, 180, 200
	40	(-0.005) (-0.015)	40	(+0.042) (+0.026)	36	50	8	5	10	120, 140, 160, 180, 200
	50		50		45	70	10	10		160, 180, 200, 250, 300
	60	(-0.010) (-0.020)	60	(+0.051) (+0.032)	55	90	12	10	10	200, 220, 250, 300, 350
	65		65		60	100				250, 300, 350,
	80	(-0.010) (-0.025)	80	(+0.051) (+0.032)	75	120	12	10	10	250, 300, 350, 400
	100	(-0.010) (-0.025)	100	(+0.059) (+0.037)	95	150	12	10	10	300, 350, 400, 450, 500

**Order Type :-** Code x D X L  
**Example :-** PPO X 50 X 200